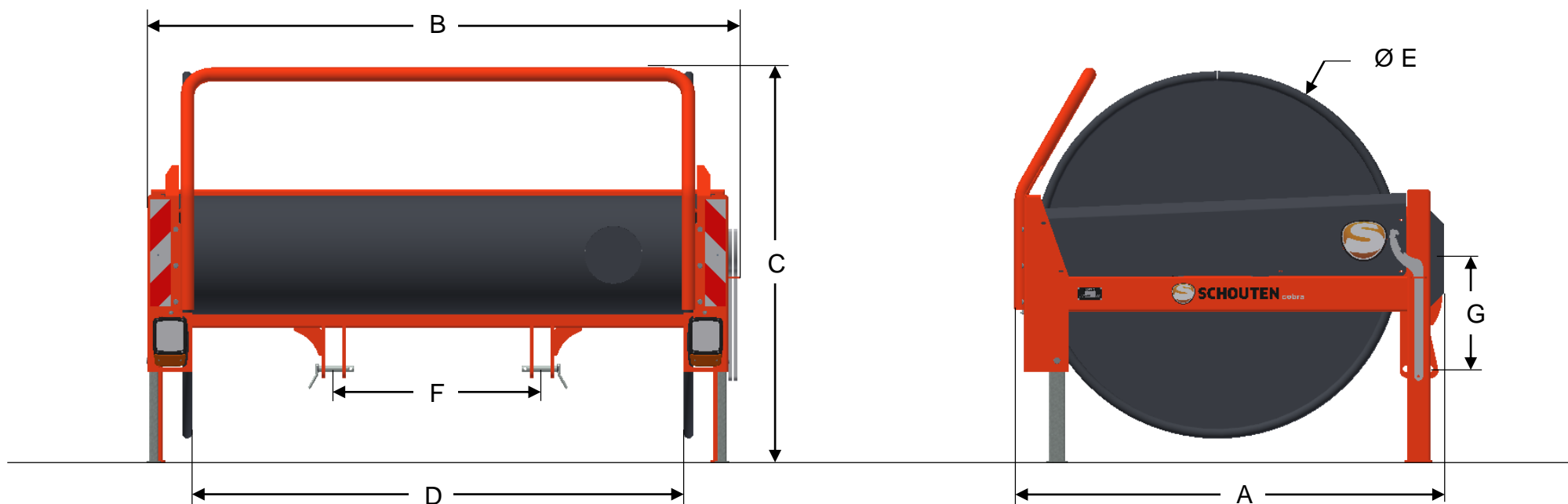


COBRA H210



DIMENSIONS

A	LENGTH	1840 MM	E	SPOOLDIAMETER	1570 MM
B	WIDTH	2500 MM	F	HITCH WIDTH	890 MM
C	HEIGHT	1690 MM	G	DISTANCE LIFT PIN – LINK PIN	520-590 MM
D	SPOOLWIDTH	2100 MM			

COBRA H210

MACHINE INFORMATION

TYPE	H210	DRIVE SPOOLS	HYDRAULIC/CHAIN
WEIGHT	850 KG	HYDRAULIC MOTORS/SPOOL	2X OMS200
HITCH TYPE	3-POINTS CAT II	DRIVE PROTECTION	HYDR. OVERPRESSURE
HOSE CAPACITY	1000 MTR. 5"		

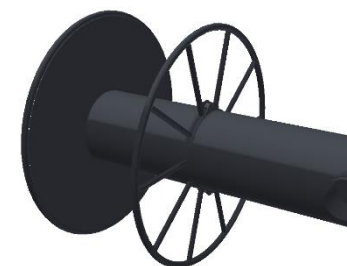
OPTIONS



FRONTLIGHTING



BACKLIGHTING



ADJUSTABLE PARTITION